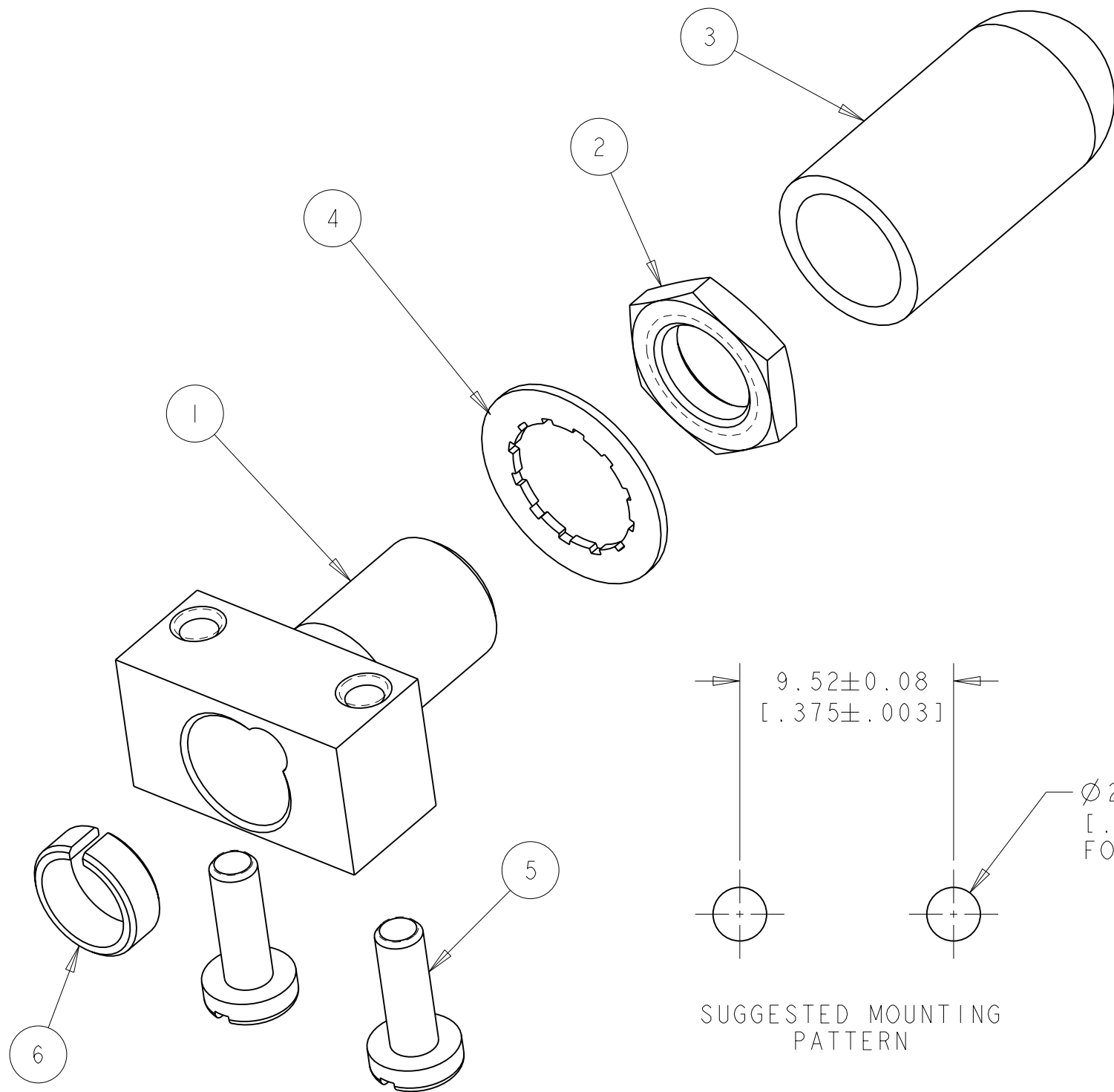
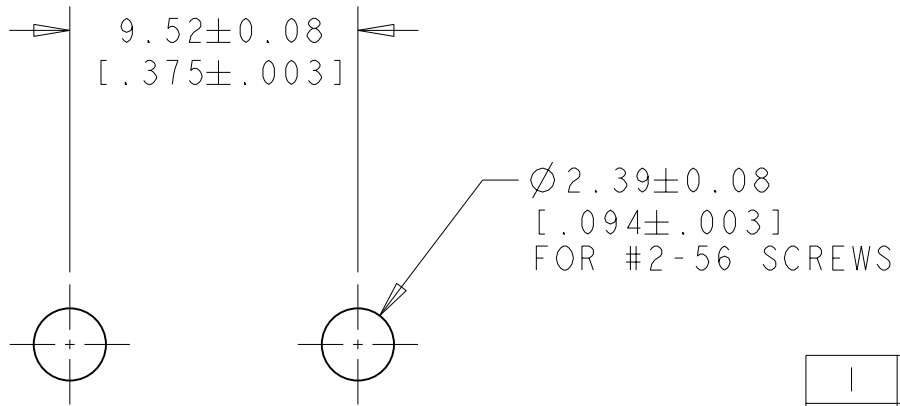


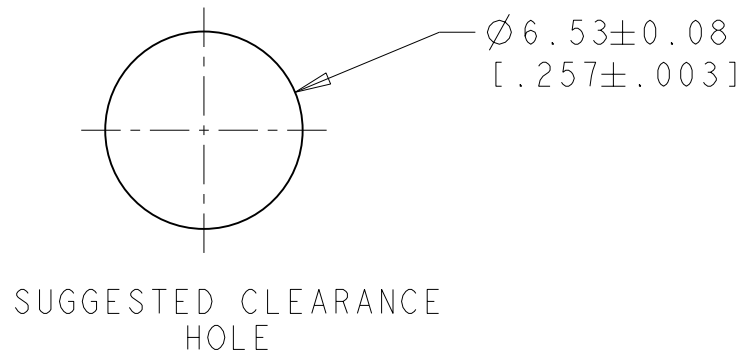
LOC	DIST	REVISIONS					
		P	LTR	DESCRIPTION	DATE	DWN	APVD
CE	00		P	REVISE PER ECR-05-009613	28SEP2005	BB	LS



- MAX. RECOMMENDED PANEL THICKNESS 1.575[.062].
 - ACCEPTS ACTIVE DEVICES: TO-18 TYPE, TO-46 TYPE, TO-52 TYPE, AND HONEYWELL LOW COST PLASTIC SWEETSPOT.
- △ 3 BULK PACKAGED.



SUGGESTED MOUNTING PATTERN



SUGGESTED CLEARANCE HOLE

QTY	PART NUMBER	DESCRIPTION	ITEM NO.
1	501084-1	ALIGNMENT RING	6
2	2-22798-2	#2-56 UNC-2A SCREW	5
1	1-22145-3	LOCK WASHER	4
1	1828874-6	PROTECTIVE CAP	3
1	981155-4	JAM NUT	2
1	501057-2	ACTIVE DEVICE PCB MOUNT	1
-1	PART NUMBER	DESCRIPTION	ITEM NO.

THIS DRAWING IS A CONTROLLED DOCUMENT FOR TYCO ELECTRONICS CORPORATION. IT IS SUBJECT TO CHANGE AND THE CONTROLLING ENGINEERING ORGANIZATION SHOULD BE CONTACTED FOR THE LATEST REVISION.

DIMENSIONS:		TOLERANCES UNLESS OTHERWISE SPECIFIED:	
mm [INCHES]			
	0 PLC	±-	
	1 PLC	±-	
	2 PLC	±-	
	3 PLC	±-	
	4 PLC	±-	
	ANGLES	±-	
MATERIAL		FINISH	

DWN	B. BRIGGS	28SEP2005	 Tyco Electronics Harrisburg, PA 17105-3608
CHK	L. SAUERWEIN	28SEP2005	
APVD	S. BUCHTER	28SEP2005	
NAME			ACTIVE DEVICE MOUNT KIT, PCB AND PANEL MOUNT, FSMA
PRODUCT SPEC			
APPLICATION SPEC			
SIZE	CAGE CODE	DRAWING NO	RESTRICTED TO
A3	00779	501055	-
CUSTOMER DRAWING			SCALE 4:1 SHEET 1 OF 1 REV P